

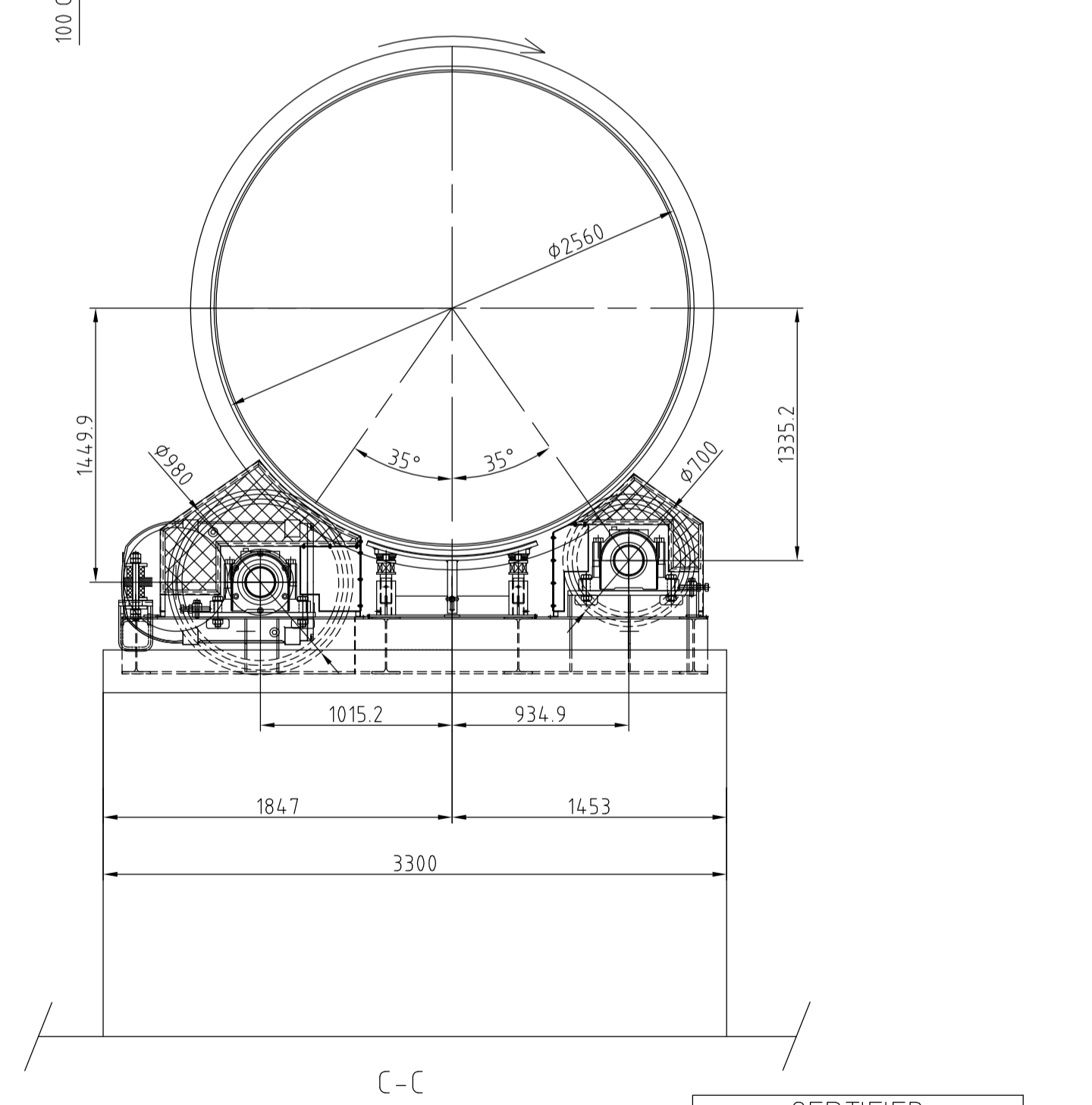
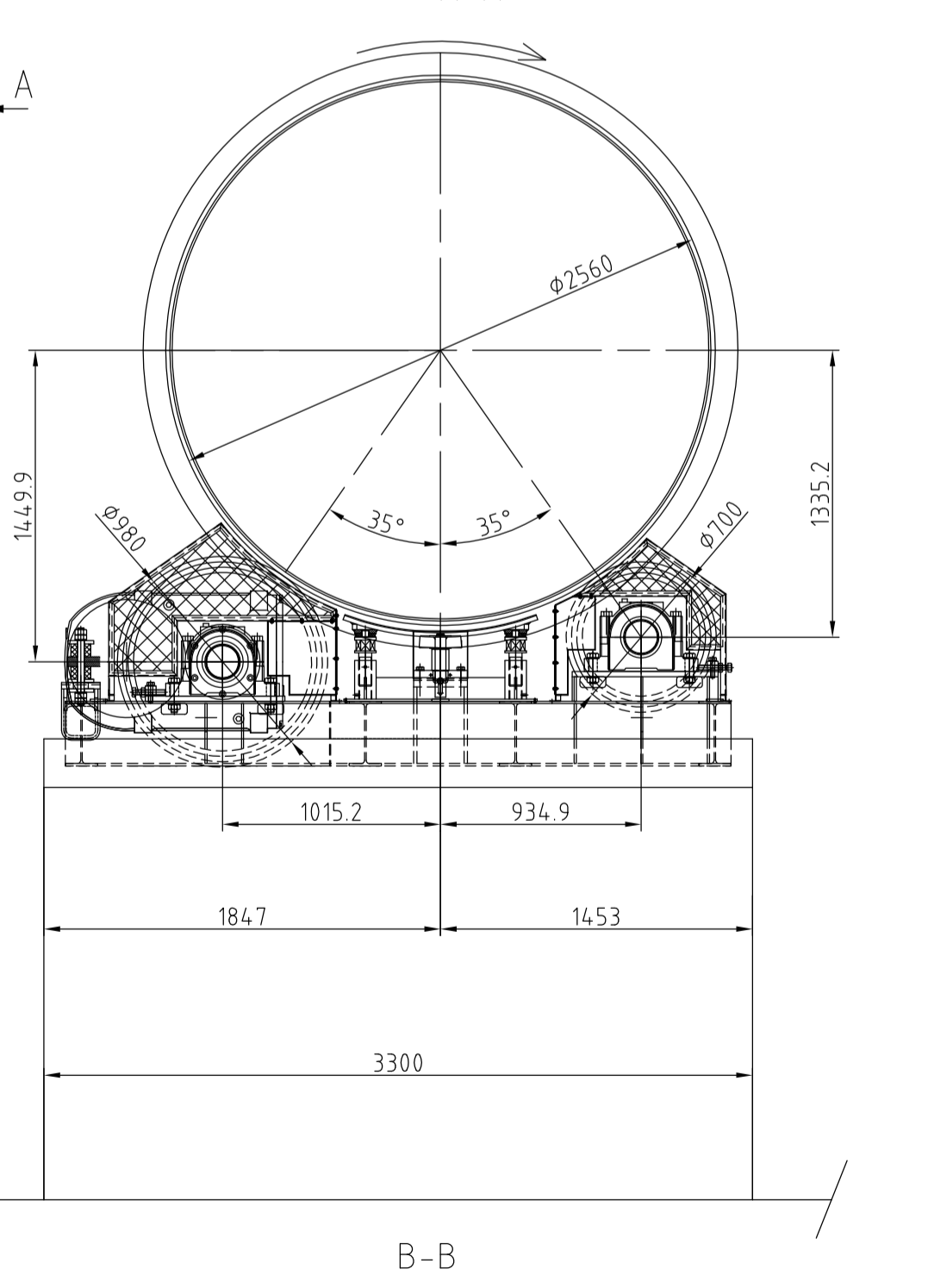
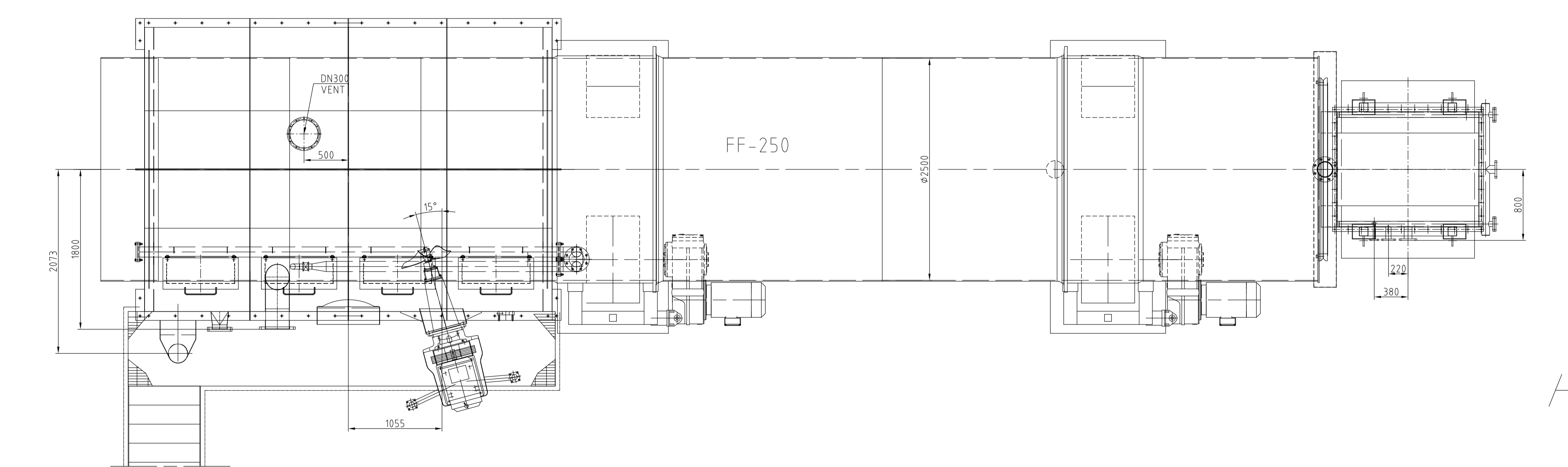
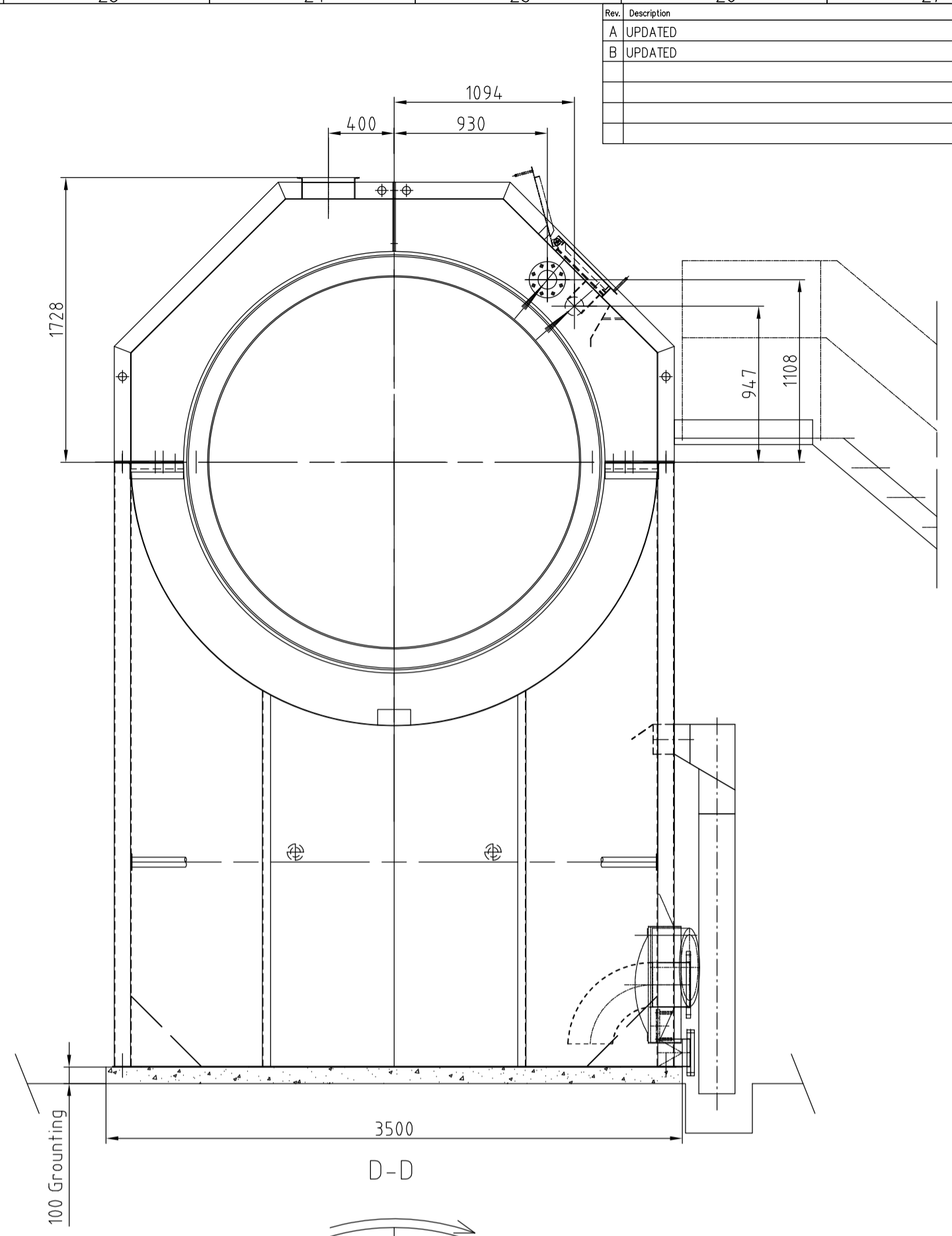
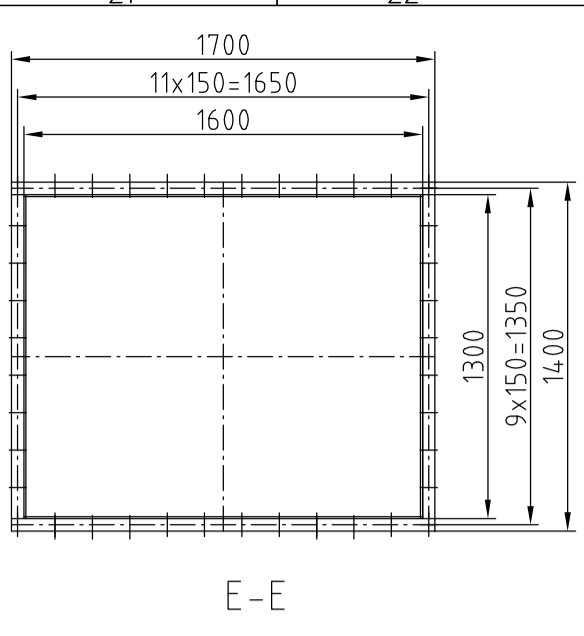
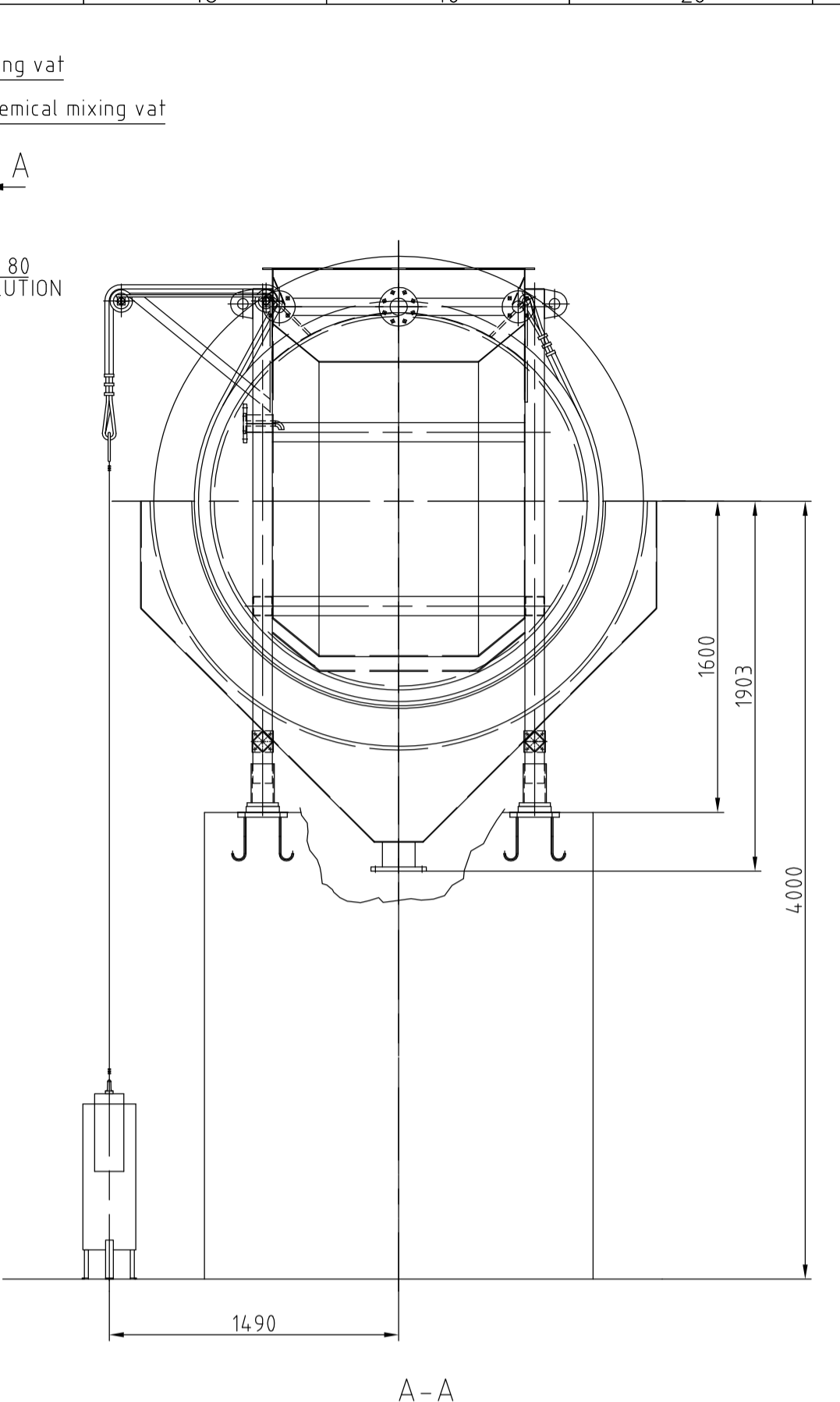
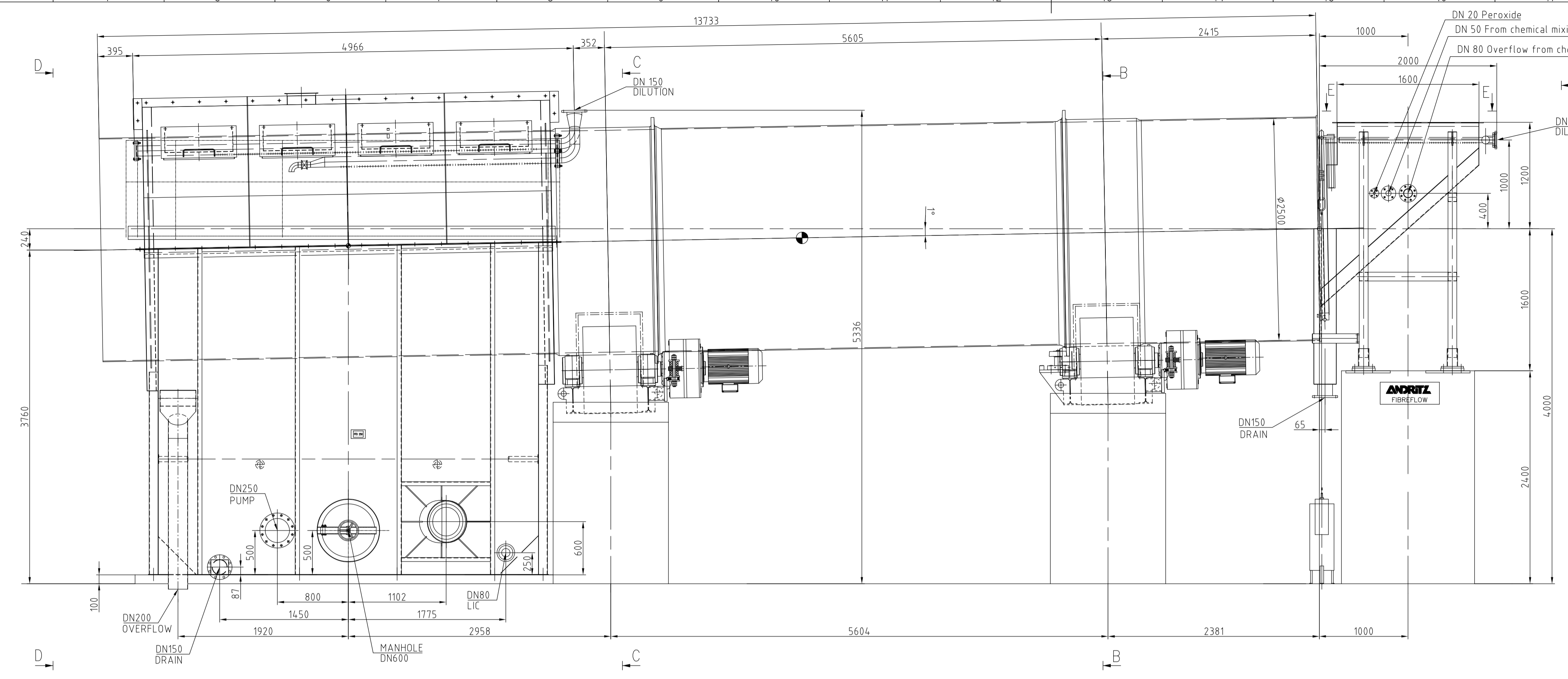






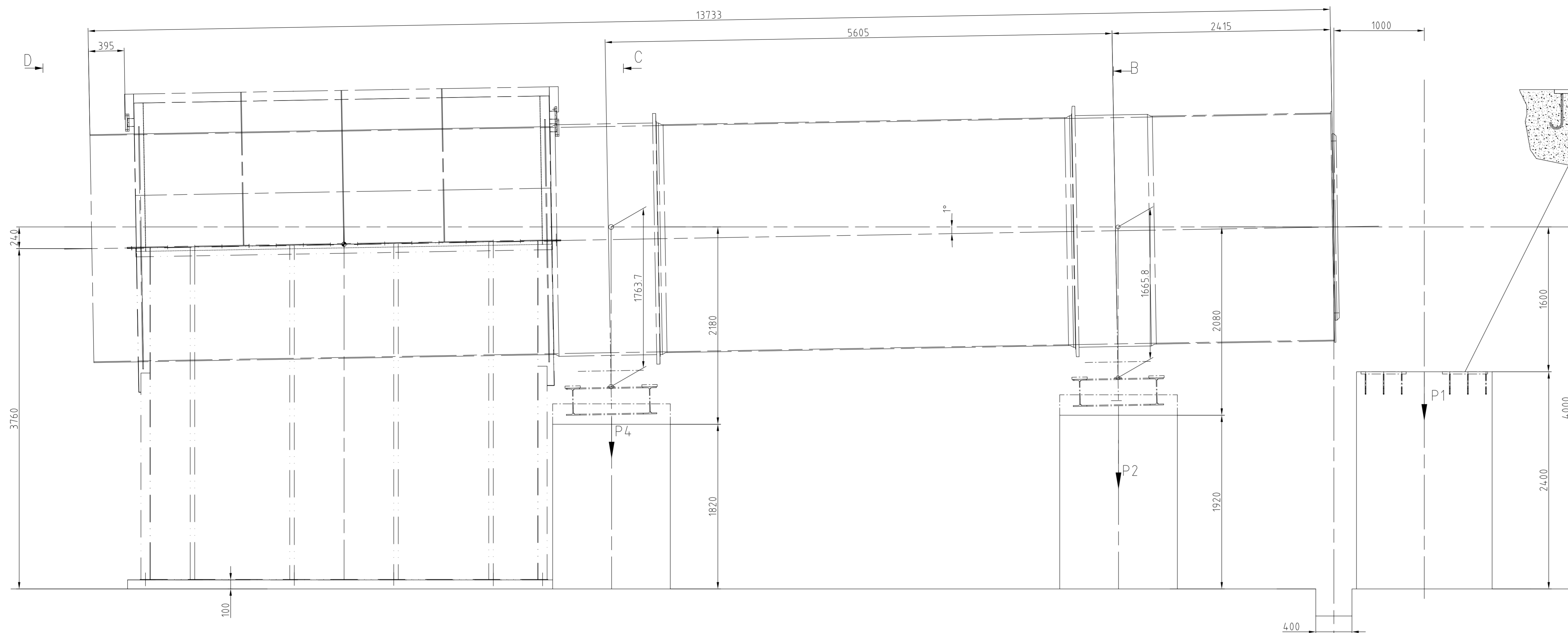


No.	Description	Date	By	Appr.
A	UPDATED	27/03/2008	KV	
B	UPDATED	24/04/2008	KV	

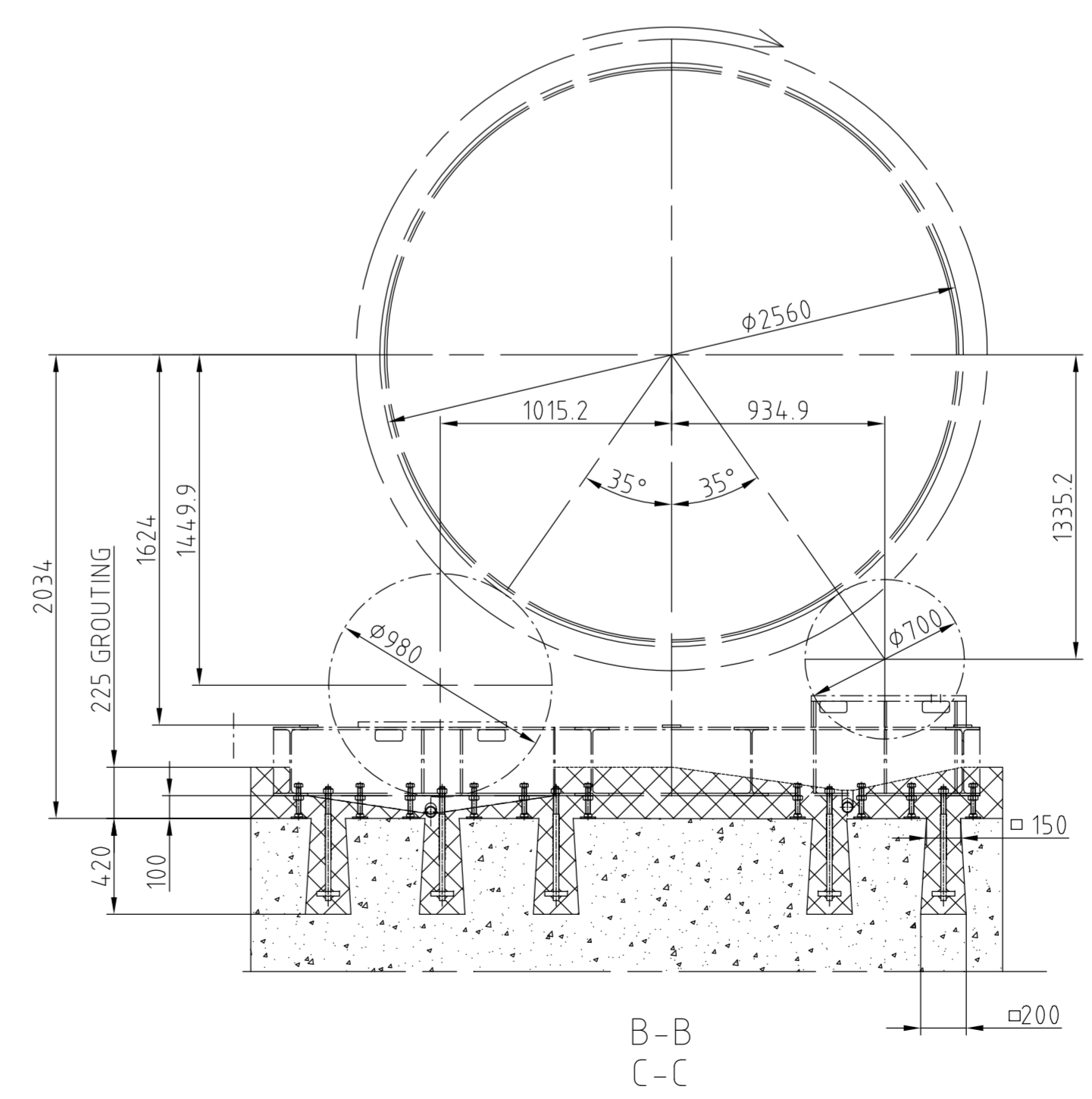
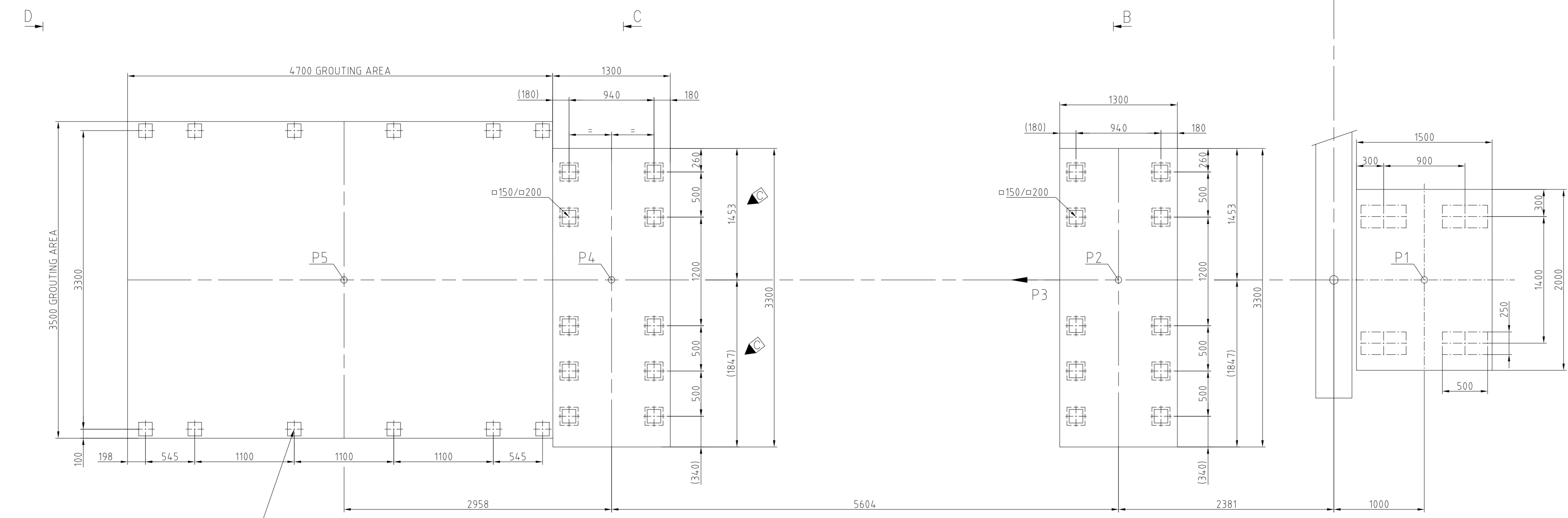
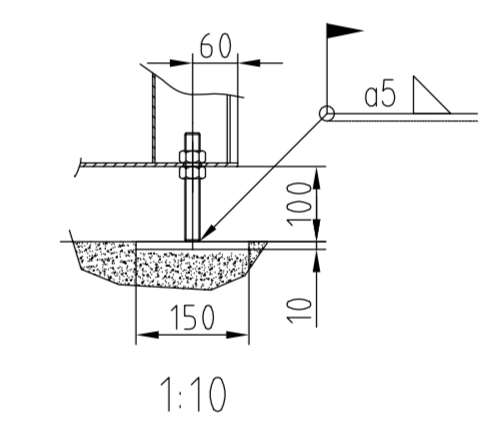
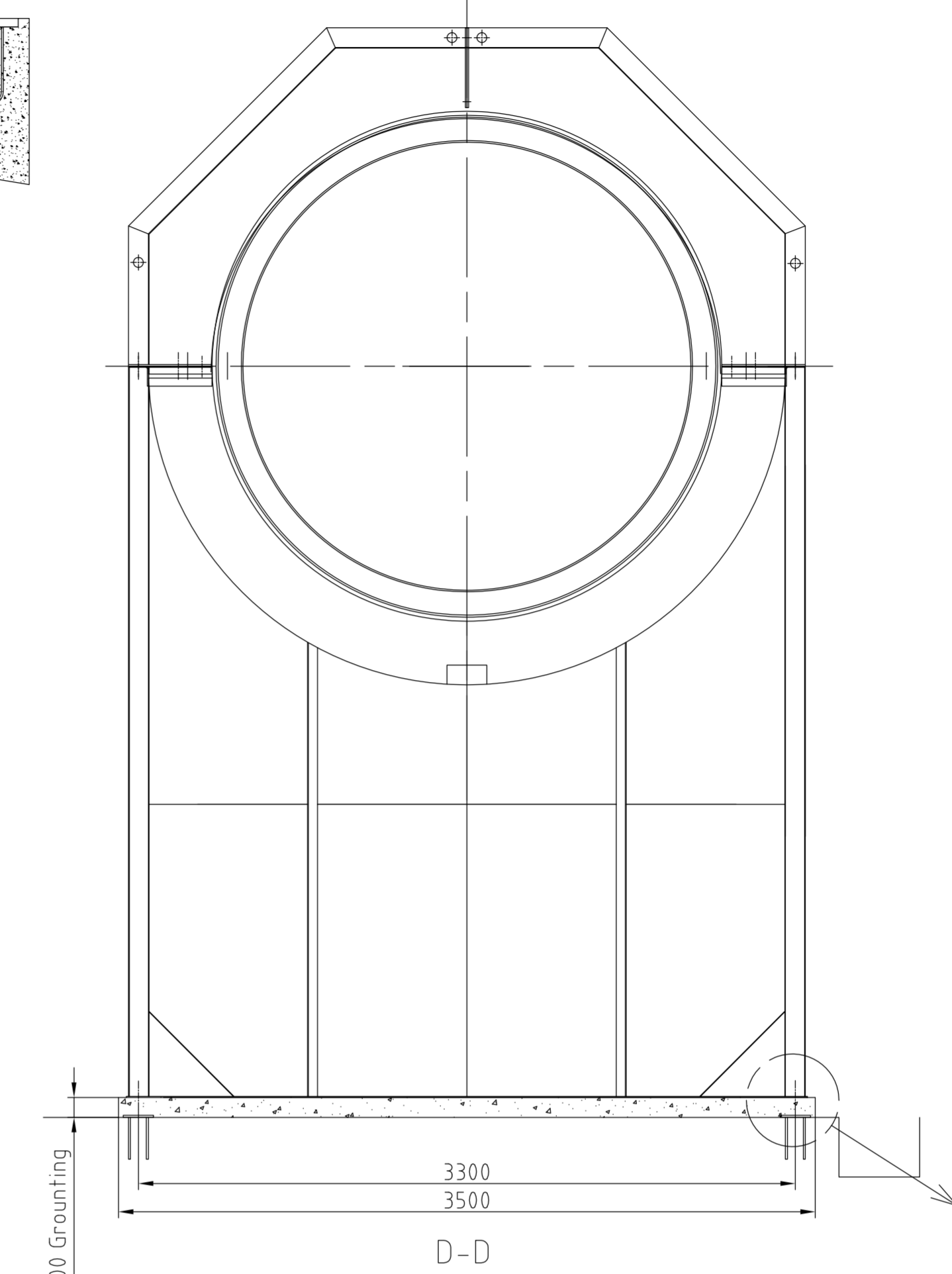


CERTIFIED		Scale		Product code		Type		Serial		Net weight (kg)	
A1	1:25	08F	2008	21	0.0						
System	Autocad	Project	FF-250	Design	13/01/2008	Drawn	13/01/2008	Checked	10/01/2008	Approved	
DIMENSIONAL DRAWING FF-250											
FIBER PREPARATION SYSTEMS											
D-02-802889-011-3000 502490846 B											

Rev.	Description	21	22	23	24
A	UPDATED				
B	UPDATED				
C	ADDED DIMENSIONS				



FOUNDATION PLATES  
4 pcs (15x250x500)  
NOT INCL. IN DELIVERY



(not incl. dyn. coeff.)

LOAD No.	DYNAMIC COEFFICIENT	TOTAL LOAD (t)	EQUIPMENT	DIRECTION OF LOAD
P1	1.5	5	* INLET CHUTE WEIGHT	VERTICAL DOWN
P2	1.8	17	DRUM WEIGHT	VERTICAL DOWN
P3	1.5	3	THRUST LOAD ON AXIAL ROLLER	HORIZONTAL
P4	1.8	20	DRUM WEIGHT	VERTICAL DOWN
P5	1.2	25	VAT WEIGHT + HOOD	VERTICAL DOWN

\* = WEIGHT IS SUM OF 4 LEGS.

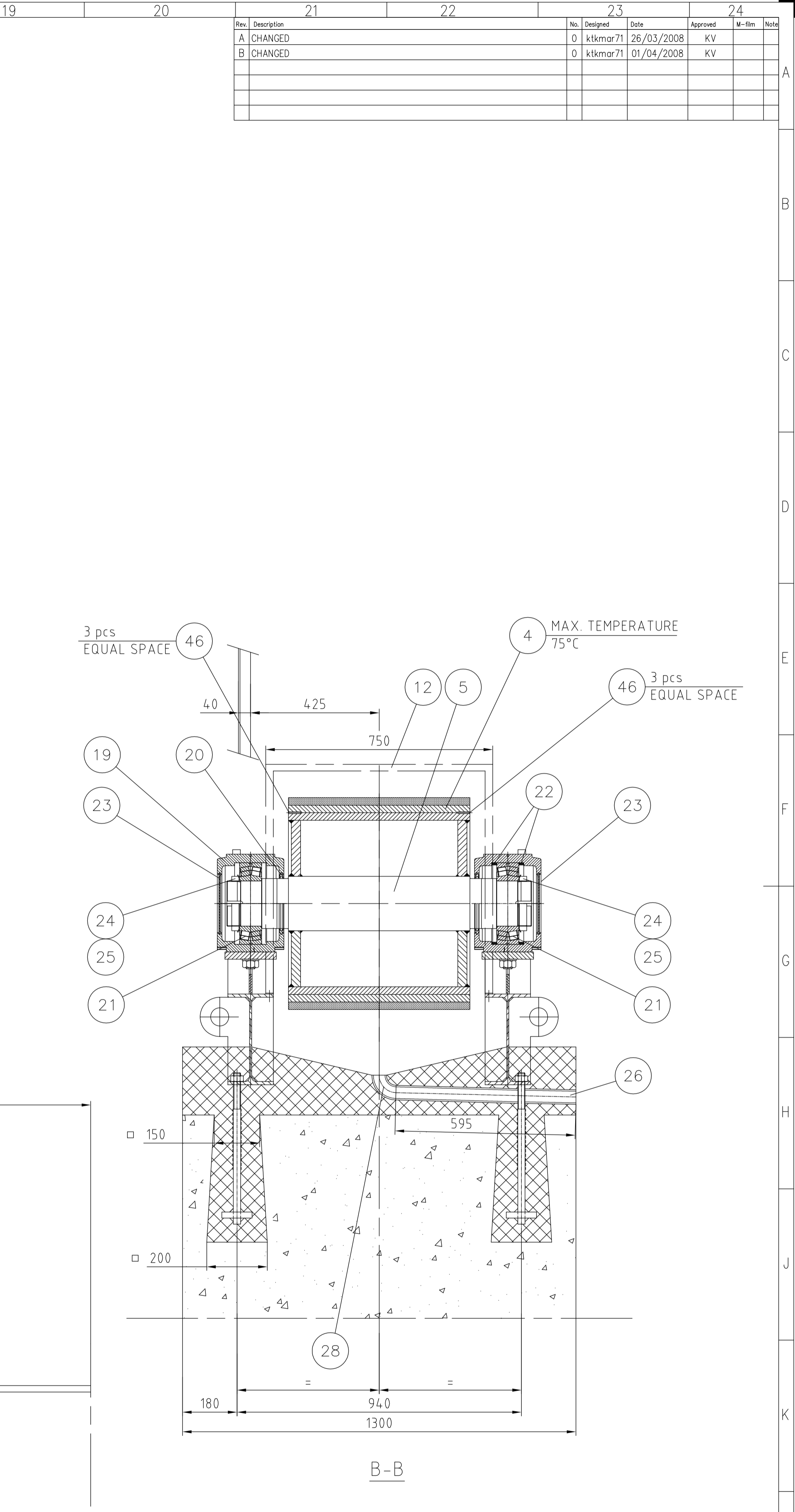
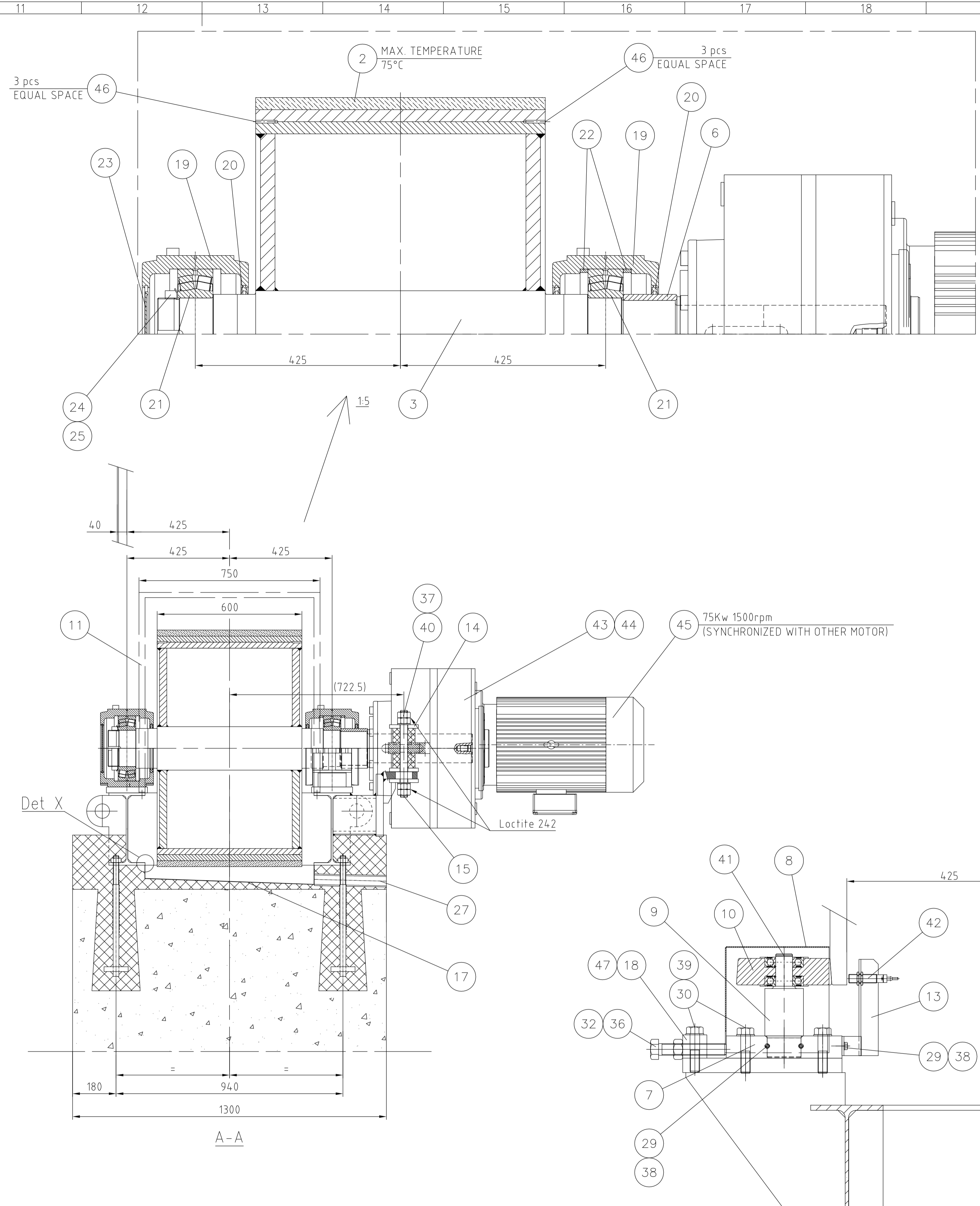
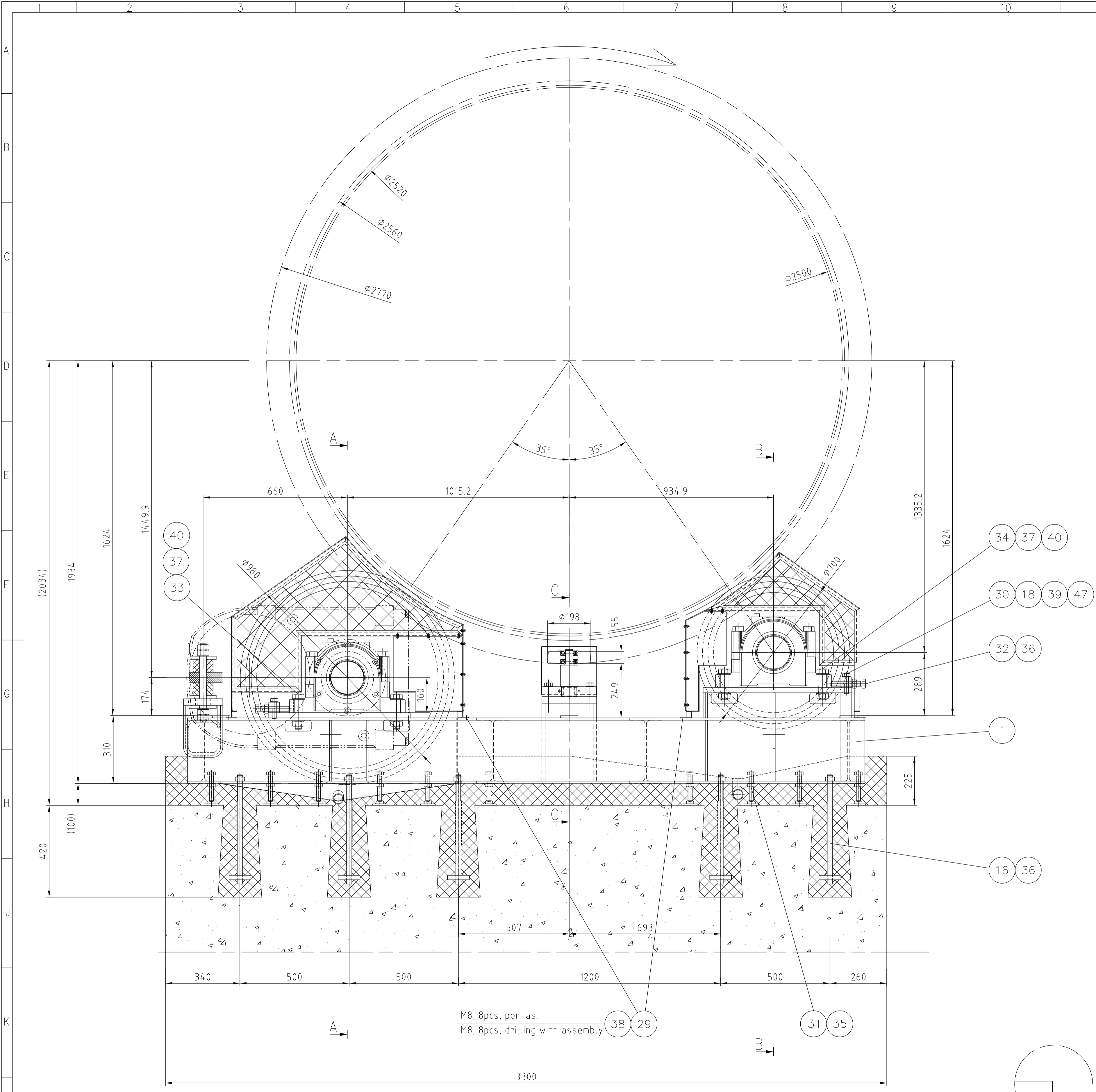
Foundation plate 150x150x10, 12 pcs  
Plates not incl. in delivery

**CERTIFIED**

Size: A1.0	Scale: 1:25	Product code: SF12000	Type: FF-250	Sheet: 22	Net weight (kg): 0.0
System: AUTOCAD	Proj. Type: PROJECT	Customer: ENPI	Contractor: ktkmcr71	Design: ktkmcr71	Date: 17/01/2008
Title: FOUNDATION FF-250				Checked: ktkmcr71	Date: 17/01/2008
ANRITZ				Approved:	Old Rev. (if any):
FIBER PREPARATION SYSTEMS				Ref. desig: 502524272	Old Rev. (if any):
Project / Work no: D-02-802889-011-3000				Drawing no: 502524272	Rev. Sheet: 24

Drawing sheet ISO 5457:1999 - A1.0

No.	Description	21	22	23	24
A	CHANGED	0	kltemar71	28/03/2008	KV
B	CHANGED	0	kltemar71	01/04/2008	KV



1.2

17

Det X

12

M8, 8pcs, por. as.  
M8, 8pcs, drilling with assembly

GENERAL TOLERANCES	Nominal	>0.5	>3	>6	>10	>40	>100	>200	>400	>800	>1200	>16000	>20000
LINEAR DIMENSIONS	0.1	0.15	0.2	0.3	0.5	1.0	1.5	2.0	3.0	5.0	10.0	15.0	20.0
Welding	ISO 5817-B	B1	B1	B2	B2	B3	B4	B5	B6	B7	B8	B9	B10
Chamfers, radius	ISO 2768-m	M1	M1	M2	M3	M4	M5	M6	M7	M8	M9	M10	M11
Contours, radius	ISO 2768-m	R1	R1	R2	R3	R4	R5	R6	R7	R8	R9	R10	R11
Contours, chamfer	ISO 2768-m	C1	C1	C2	C3	C4	C5	C6	C7	C8	C9	C10	C11
Contours, chamfer	ISO 2768-m	C1	C1	C2	C3	C4	C5	C6	C7	C8	C9	C10	C11
Contours, chamfer	ISO 2768-m	C1	C1	C2	C3	C4	C5	C6	C7	C8	C9	C10	C11
Contours, chamfer	ISO 2768-m	C1	C1	C2	C3	C4	C5	C6	C7	C8	C9	C10	C11
Contours, chamfer	ISO 2768-m	C1	C1	C2	C3	C4	C5	C6	C7	C8	C9	C10	C11

Size: A1,0  
Drawing System: AUTOCAD  
Material: Steel

Scale: 1:10  
Part Class: S=STANDARD  
Customer: Customer

Product code: KF12000  
Type: FF250  
Part no.:  
Drawing no.: 13/02/2008

Net weight (kg): 42  
Designed: kltemar71  
Drawn: kltemar71  
Checked: kltemar71  
Approved: kltemar71

**ANDRITZ**  
FIBER PREPARATION SYSTEMS

DRIVE ROLLER FF-250 (AXIAL)

Rev. no. / Appr. / Date: 13/02/2008  
Rev. no. / Appr. / Date: 13/02/2008  
Rev. no. / Appr. / Date: 13/02/2008

Sheet no.: 502589019  
Sheet: 24